

# Product Lines

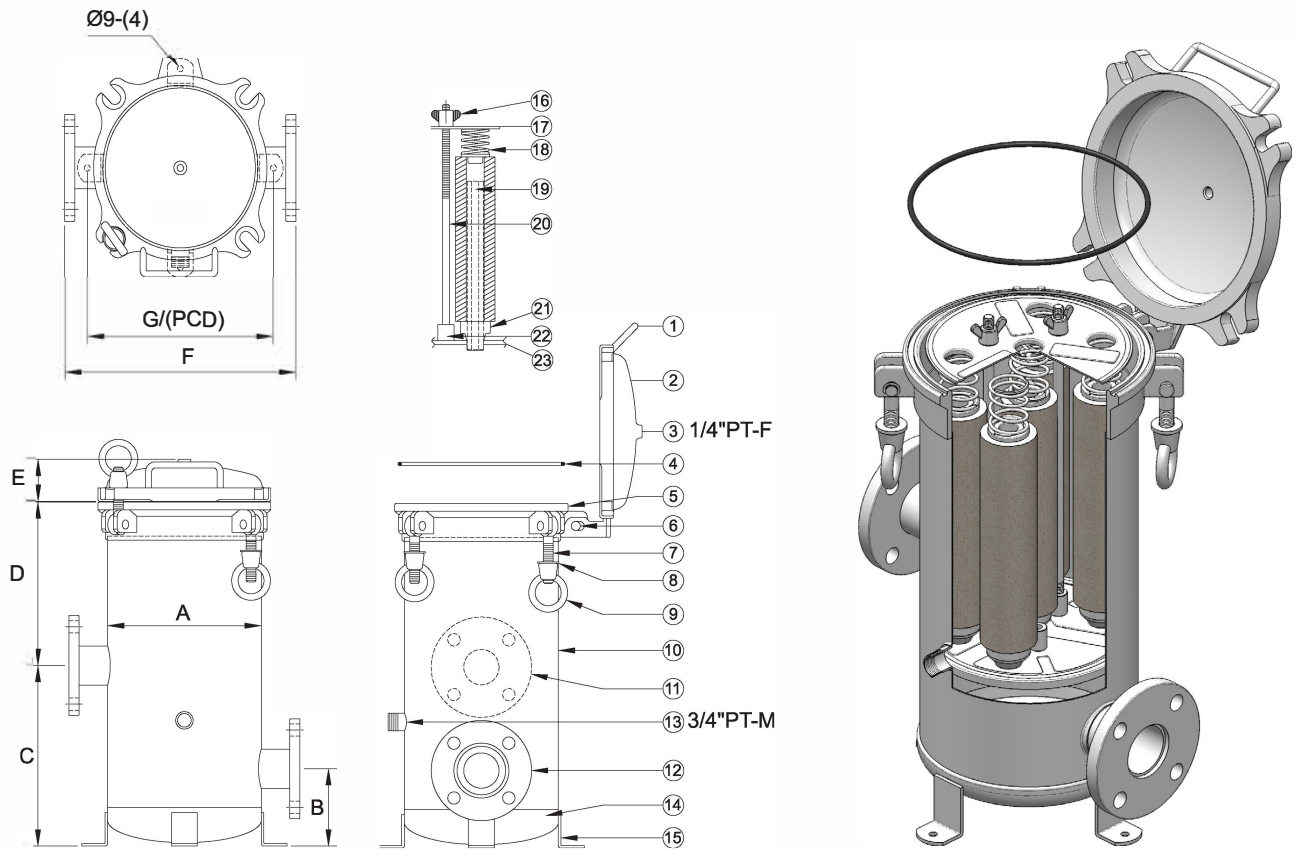
## TKH Series High Pressure Cartridge Filter Housing

Design P.	15kg/cm <sup>2</sup>	Operating P.	10kg/cm <sup>2</sup>
Design T.	100°C	Operating T.	75°C
Accessory	Cartridges		



## High Pressure Cartridge Filter Housing

No.	Description	No.	Description	No.	Description
1	Handle	9	Eye nut	17	Pressure plate
2	Top cover	10	Shell	18	Springs
3	Vent	11	Port inlet	19	Cartridge post
4	O-ring	12	Port outlet	20	Center post
5	Shell Flange	13	Drain	21	Pedestal
6	Spindle	14	Bottom cover	22	Nut
7	Eye bolt	15	Support Leg	23	Cartridge support plate
8	Washer	16	Nut		



Model	Length of Cartridge	A m/m	B m/m	C m/m	D m/m	E m/m	F m/m	G/(PCD) m/m	M <sup>3</sup> /Hr	GPM	Weight	Volume
TKH3~4	10"	Ø180	120	280	250	51	300	Ø236	3~4	15~20	25kg	18L
TKH3~4	20"	Ø180	120	280	515	51	300	Ø236	6~8	30~40	30kg	27L
TKH3~4	30"	Ø180	120	280	770	51	300	Ø236	9~12	45~60	35kg	36L
TKH5~7	10"	Ø232	120	280	258	67	358	Ø288	5~7	25~35	30kg	23L
TKH5~7	20"	Ø232	120	280	513	67	358	Ø288	10~14	50~70	35kg	34L
TKH5~7	30"	Ø232	120	280	768	67	358	Ø288	15~21	75~105	40kg	45L
TKH5~7	40"	Ø232	120	280	1023	67	358	Ø288	20~28	100~140	46kg	55L