

Product Lines

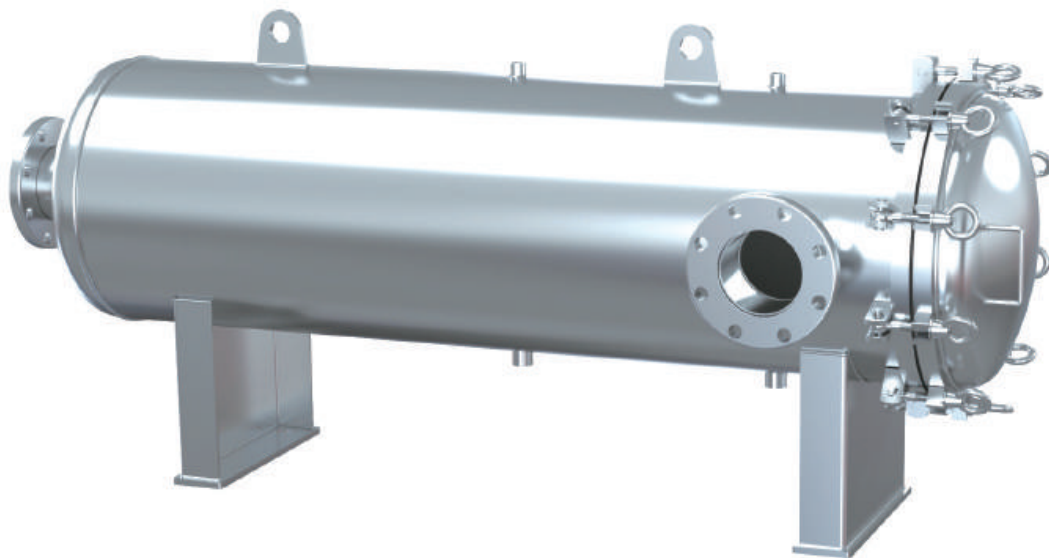
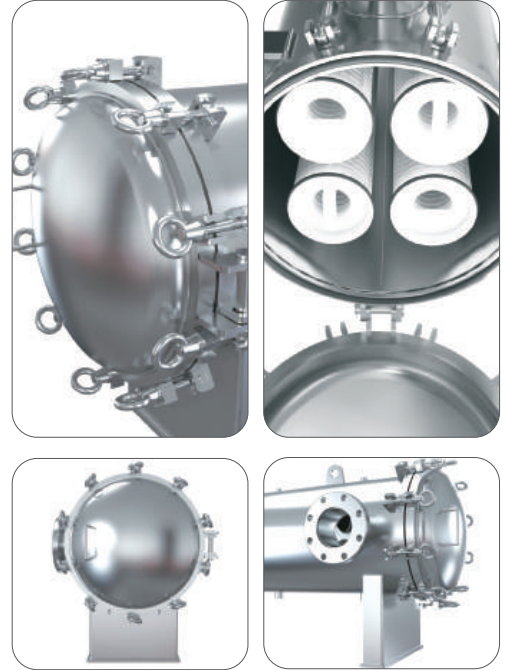
High Flow Rate Multi-Cartridges Filter Housing

Design P. 10kg/cm² Operating P. 7kg/cm²

Design T. 100°C Operating T. 75°C

Accessory High Flow Cartridge.

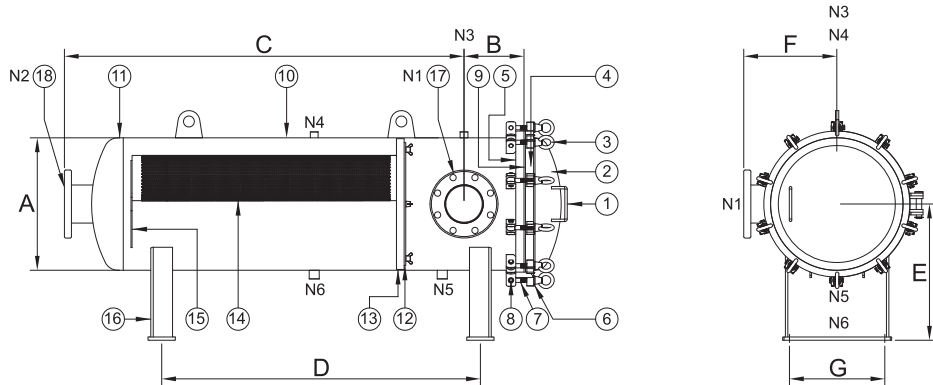
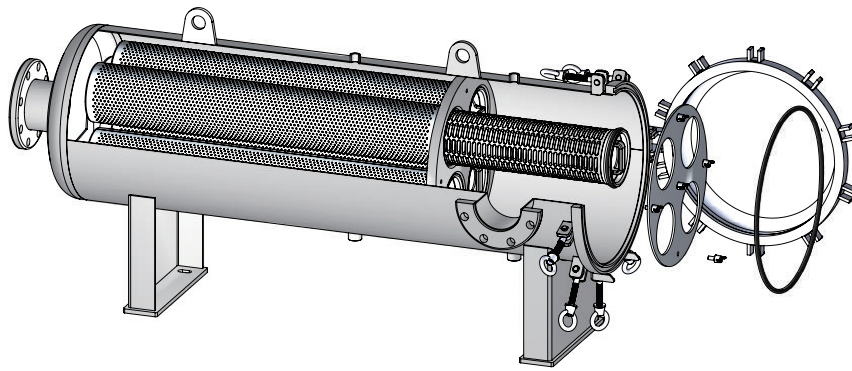
There is no hanger if cartridges less than 7 Pcs



HM Series

High Flow Rate Multi-Cartridges Filter Housing

No.	Description	No.	Description	No.	Description
1	Handle	7	Eye bolt	13	Filter bag plate
2	Top cover	8	Spindle	14	Basket
3	Eye nut	9	O-ring	15	Support plate
4	Top cover flange	10	Shell	16	Support leg
5	Shell flange	11	Bottom cover	17	Inlet
6	Washer	12	Pressure plate	18	Outlet



Model	Length Of Cartridge	N1/N2	N3	N4/N5	A m/m	B m/m	C m/m	D m/m	E m/m	F m/m	G m/m	M ³ /Hr	Weight	Volume
2HM	40"	4"	1/2"	1"	Ø406	210	1351	1120	450	303	250	100	142kg	200L
	60"	4"	1/2"	1"	Ø406	210	1861	1630	450	303	250	150	160kg	216L
3HM	40"	5"	1/2"	1"	Ø406	220	1391	1120	450	303	250	150	146kg	207L
	60"	5"	1/2"	1"	Ø406	220	1901	1630	450	303	250	225	163kg	223L
4HM	40"	5"	1/2"	1"	Ø486	220	1406	1120	500	343	300	200	165kg	299L
	60"	5"	1/2"	1"	Ø486	220	1916	1630	500	343	300	300	185kg	393L
5HM	40"	6"	1/2"	1"	Ø508	235	1395	1120	500	354	300	250	170kg	327L
	60"	6"	1/2"	1"	Ø508	235	1905	1630	500	354	300	375	200kg	430L
7HM	40"	6"	1/2"	1"	Ø560	235	1406	1120	550	380	350	350	235kg	399L
	60"	6"	1/2"	1"	Ø560	235	1916	1630	550	380	350	525	270kg	524L
8HM	40"	6"	1/2"	1"	Ø650	235	1425	1120	600	425	400	400	265kg	541L
	60"	6"	1/2"	1"	Ø650	235	1935	1630	600	425	400	600	310kg	710L
9HM	40"	8"	1/2"	1"	Ø762	275	1506	1200	650	481	500	450	440kg	787L
	60"	8"	1/2"	1"	Ø762	275	2016	1710	650	481	500	675	510kg	1019L
10HM	40"	8"	1/2"	1"	Ø762	275	1506	1200	650	481	500	500	442kg	787L
	60"	8"	1/2"	1"	Ø762	275	2016	1710	650	481	500	750	512kg	1019L
12HM	40"	8"	1/2"	1"	Ø762	275	1506	1200	650	481	500	600	445kg	787L
	60"	8"	1/2"	1"	Ø762	275	2016	1710	650	481	500	900	515kg	1019L
13HM	40"	14"	1/2"	1"	Ø864	400	1601	1400	700	532	550	650	546kg	1130L
	60"	14"	1/2"	1"	Ø864	400	2111	1910	700	532	550	975	600kg	1429L
15HM	40"	16"	1/2"	1"	Ø864	425	1626	1450	700	532	550	750	550kg	1154L
	60"	16"	1/2"	1"	Ø864	425	2136	1960	700	532	550	1125	610kg	1453L
17HM	40"	16"	1/2"	1"	Ø864	425	1626	1450	700	532	550	850	555kg	1154L
	60"	16"	1/2"	1"	Ø864	425	2136	1960	700	532	550	1275	615kg	1453L
19HM	40"	16"	1/2"	1"	Ø900	425	1633	1450	750	550	600	950	700kg	1261L
	60"	16"	1/2"	1"	Ø900	425	2143	1960	750	550	600	1425	795kg	1586L