

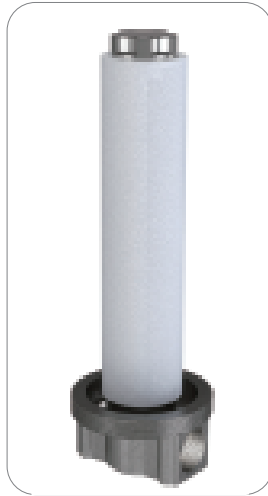
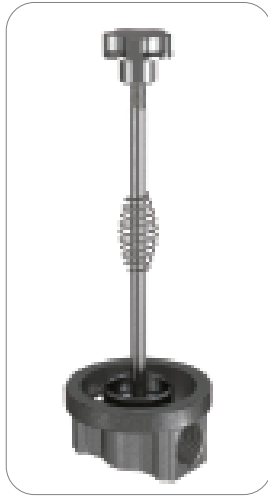
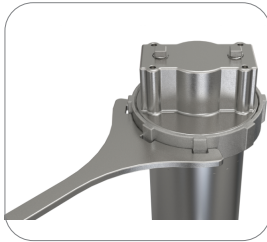
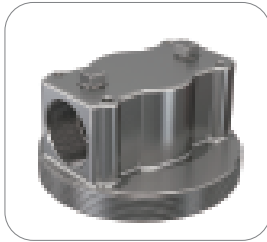
Product Lines

High Pressure Single Cartridge Filter Housing

Design P. 30kg/cm2 Operating P. 21kg/cm2

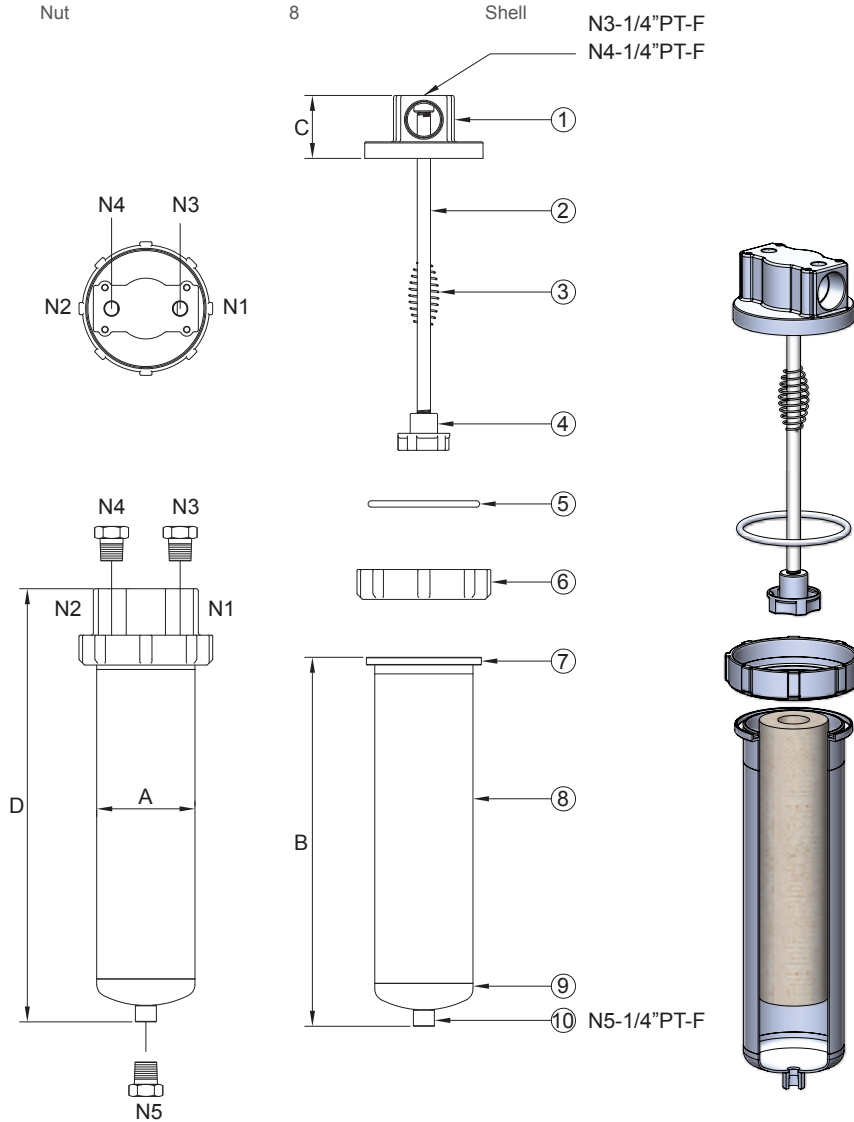
Design T. 100 ° C Operating T. 75 ° C

Accessory Cartridges, Mounting Bracket, Spanner



< [[\ `DfYggi fY'G]b[`Y7 UfHf]X[Y:]'Hf' <ci g]b[

No	Description	No	Description	No	Description
1	Cartridge support plate	5	O-ring	9	Bottom cover
2	Screw rod	6	Round nut	10	Drain
3	Springs	7	Shell flange		
4	Nut	8	Shell		



Model	Length of Cartridge	A m/m	B m/m	C m/m	D m/m	M ³ /Hr	GPM	Weight
TSH1	10"	Ø88.9	334	57	391	1	5	5.5kg
TSH2	20"	Ø88.9	584	57	641	2	10	6.5kg
TSH3	30"	Ø88.9	834	57	891	3	15	7.5kg

• Filter element for optional purchase.